

ARMSTRONG

The Ladder that works . . .

. . . now works for RIBs!

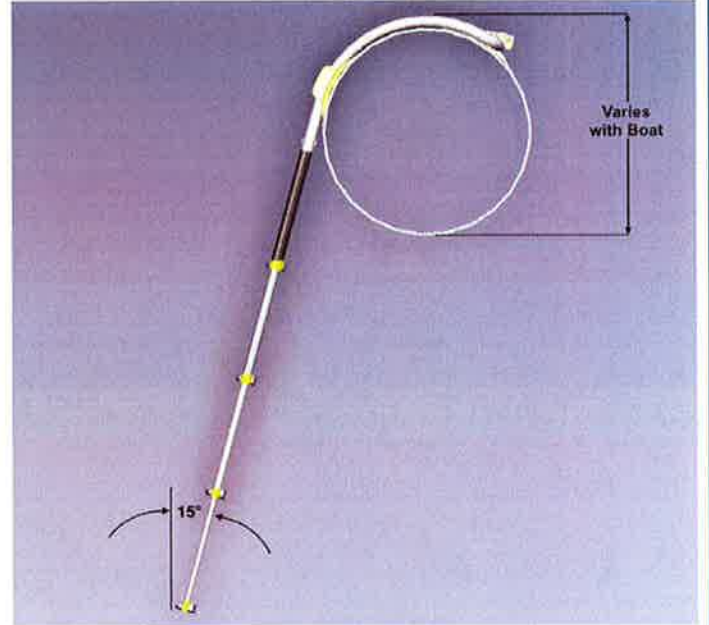
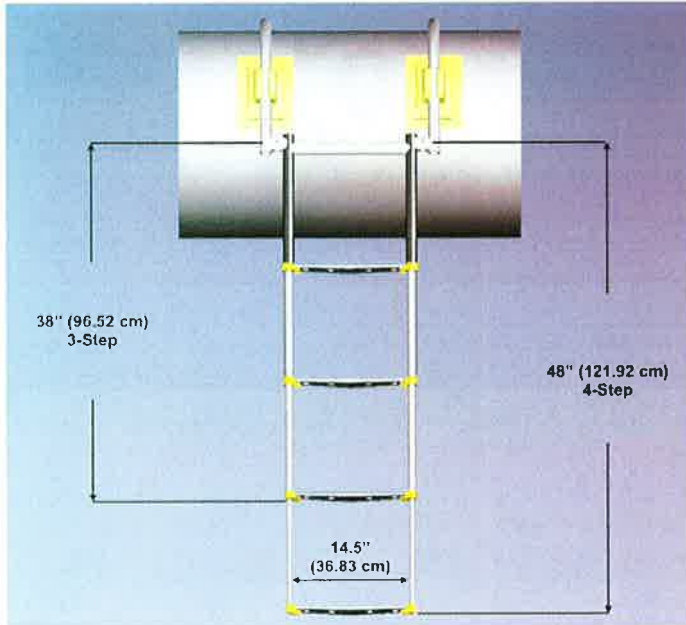
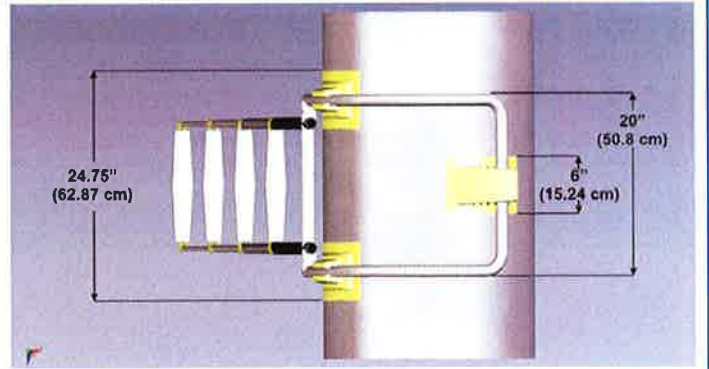
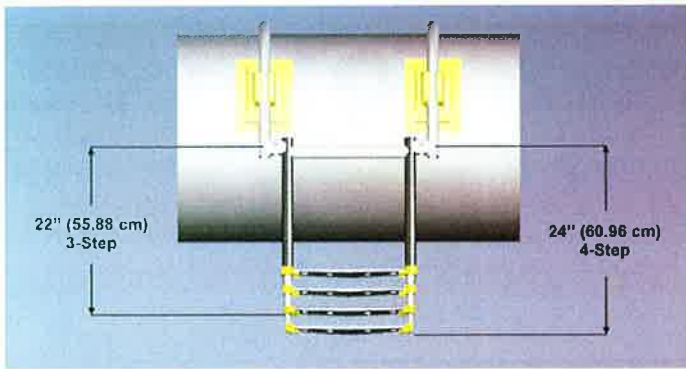


**MARINE
Quality Marine
Products**

www.rwbmarine.com.au



- **Surface Mounted - No Holes in Pontoons**
- **Supports 400+ Pounds**
- **Maintains Outward Angle - Does Not Push Under Boat**



RIB Ladder Advantages . . .

- Surface Mounted - No Holes in Pontoons
- Supports 400+ Pounds, Meets ABYC H-41 Standard
- Maintains Outward Angle - Does Not Push Under Boat
- Comfortable to Use
- Easy to Remove and Replace
- Telescopic - Folds for Compact Stowage
- Stainless Steel Construction
- Soft Mounting Hardware
- Available for Hypalon or PVC
- Mounting hardware sold separately for multiple mounting points
- Rubber Stand-offs help protect mother-ship finishes
- US and EC Patents Pending



National Marine
Manufacturers Association



Made in
the USA



3140 S. E. Dominica Terrace
Stuart, FL 34997
www.armstrongnautical.com



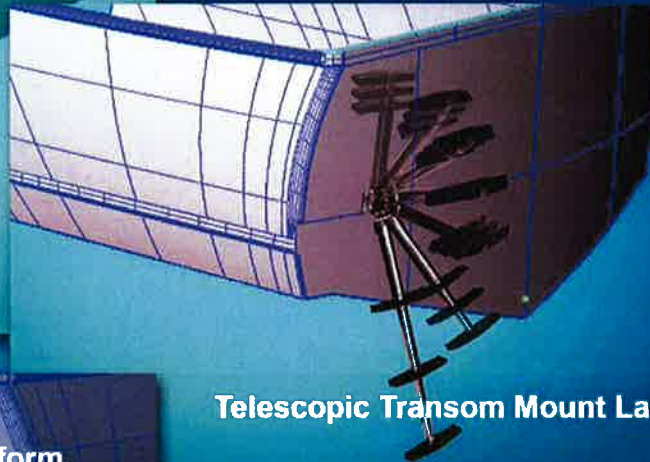
The Ladder that Works . now Telescopes!

Built-in Telescopic Slide-out Ladder



now Telescopes!

Telescopic Transom Mount Ladder



Telescopic Slide-out Ladder under Platform



Telescopic Deck Mount Ladder



- Deployable from the Water
- Meets ABYC H-41 Standards
- Telescopic Center Pole
 - 316 Stainless Steel Construction
 - Flat Steps with Molded Tread
 - Comfort Angled like a Step Ladder
 - "Fin Friendly" Design
 - In or Out of the Water Use
 - 3 and 4-Step Versions
 - Rated to 400 lbs.
 - Compact
 - Patent Pending

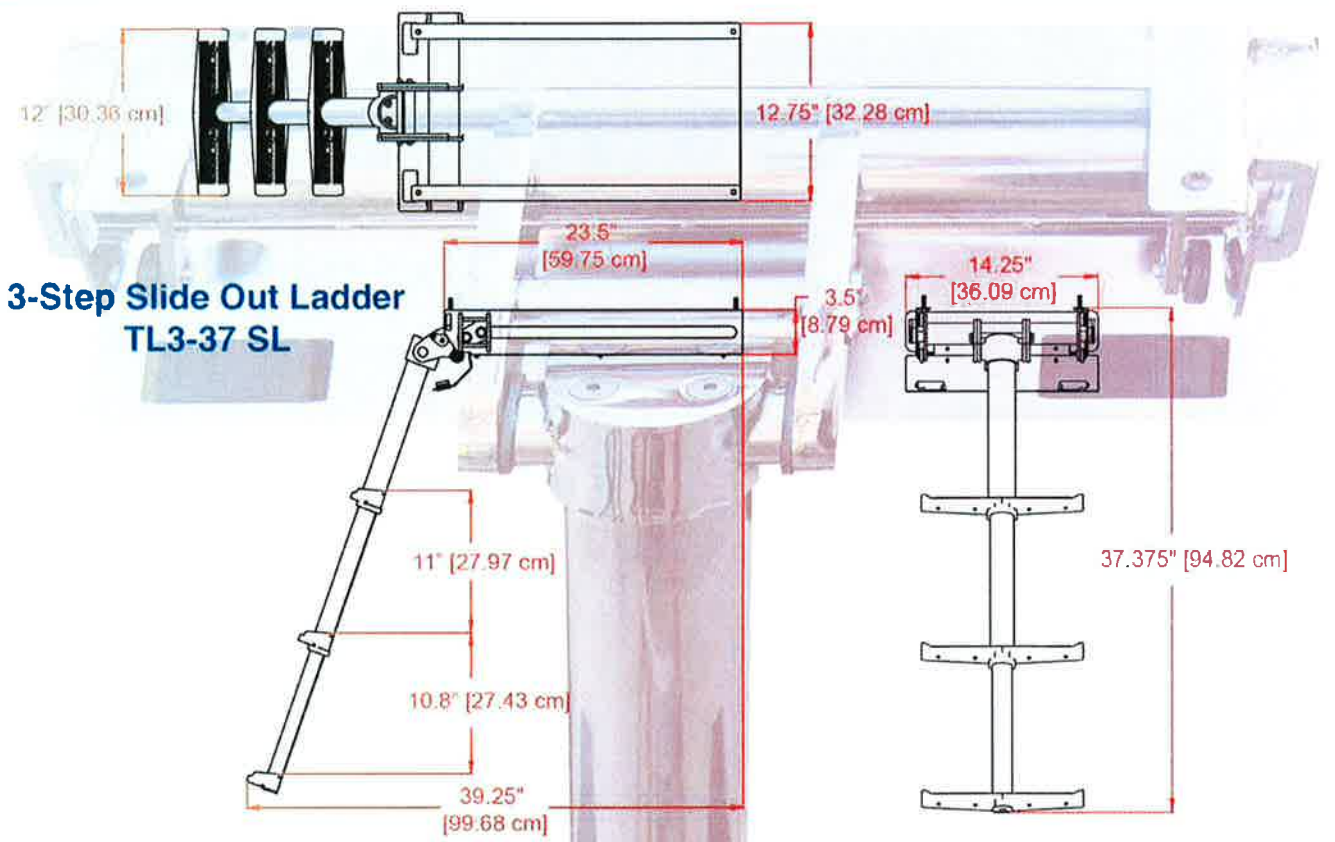


www.armstrongnautical.com

800-226-7204 • 772-286-7204

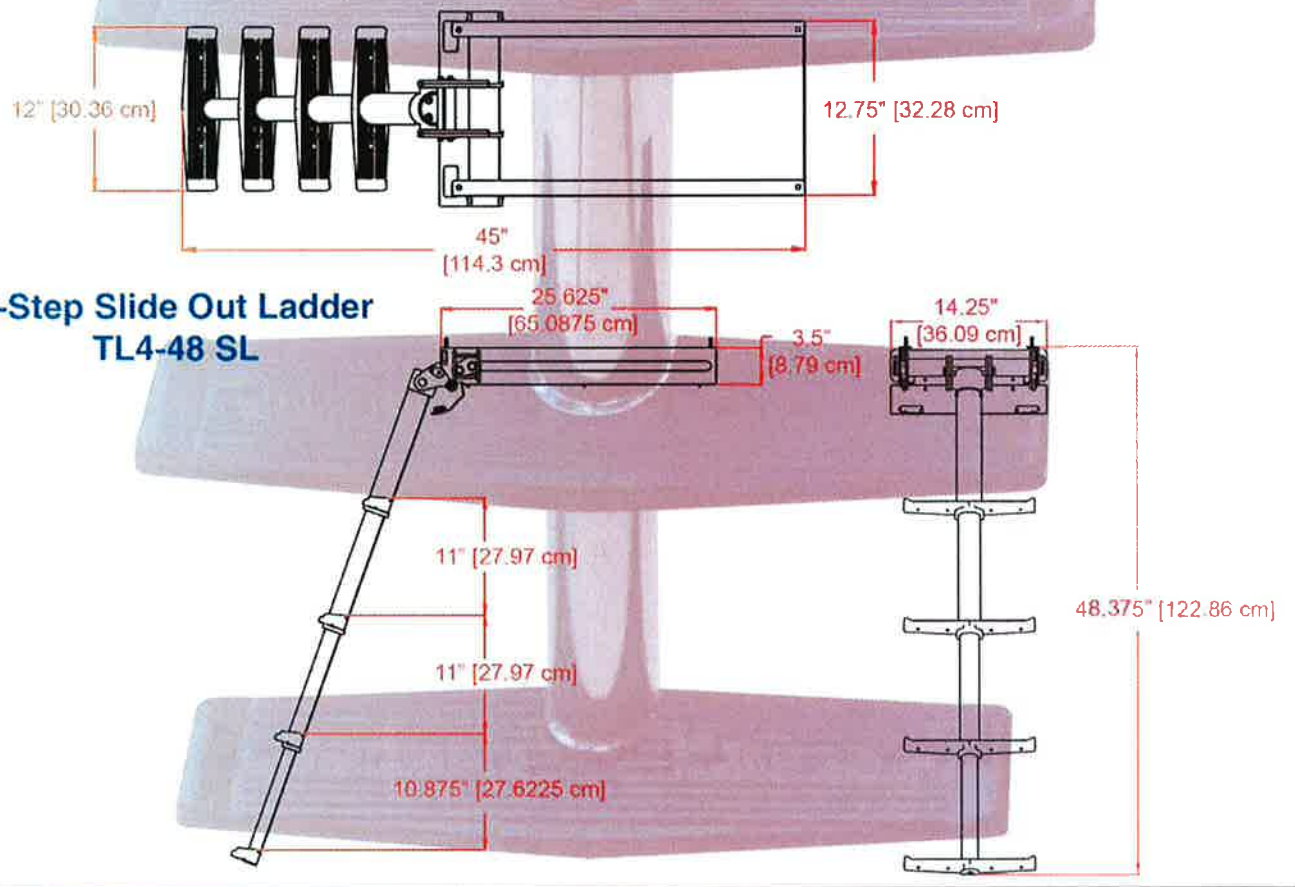
FAX 772-286-1339

Email sales@armstrongnautical.com



**3-Step Slide Out Ladder
TL3-37 SL**

**Jewel Like Finish,
Smooth Precision Action,
The Only Ladder for your Yacht.**



**4-Step Slide Out Ladder
TL4-48 SL**